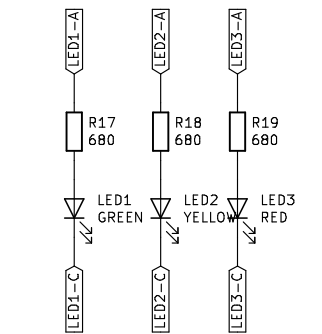
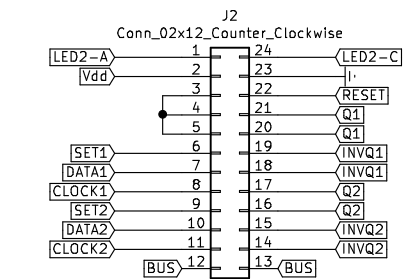
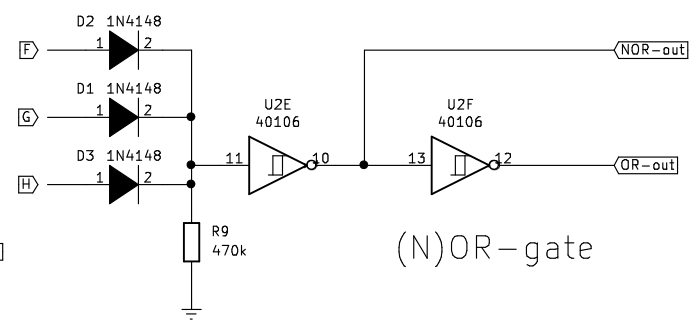
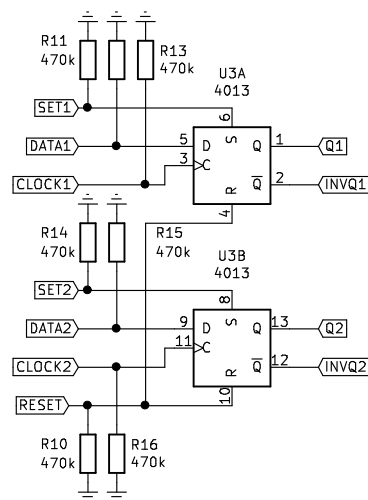
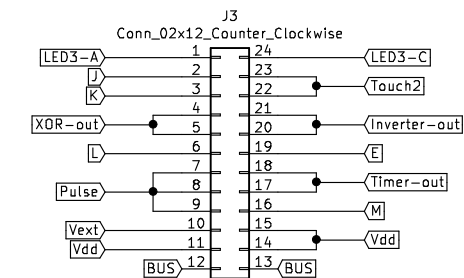


FLIP-FLOPS



LED-indicators



Sheet: /	Date:
File: Wild_BITS.sch	Rev:
Title: Wild-BITs	
Size: A4	Id: 1/1
KiCad E.D.A. kicad 5.1.2-f72e74a84ubuntu18.04.1	